

Thermoplastic outlet box installation box

2505010






General information

| | |
|-------------|--------------------------|
| Item number | 2505010 |
| Model | Thermoplastic outlet box |
| Colour | white |

Electrical parameters

| | |
|---------|------|
| Voltage | 400V |
| Poles | 5P |

Standards/Directives

| | |
|---------------------|--|
| According to | VDE 0606 |
| Standard | installation box |
| Certification marks |    |

Operating conditions

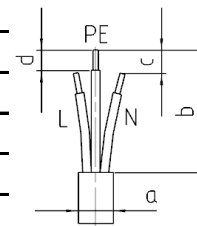
| | |
|-----------------------|---------------------------|
| Storage temperature | -25°C to +70°C |
| Operating temperature | -25°C to +40°C |
| Relative humidity | 5 to 95%, no condensation |
| Degree of protection | IP20 |

Materials

| | |
|-----------------|----|
| Contact Carrier | PA |
| Housing | PS |

Connecting cable

| | |
|---|--|
| Cross section | 5x2,5mm ² -6mm ² |
| Cable diameter, dimension a | 9,5-12,5mm |
| Insulation strip length sheath, dimension b | - |
| Trim L/N, dimension c | - |
| Insulation strip length cores, dimension d | 8-10mm |



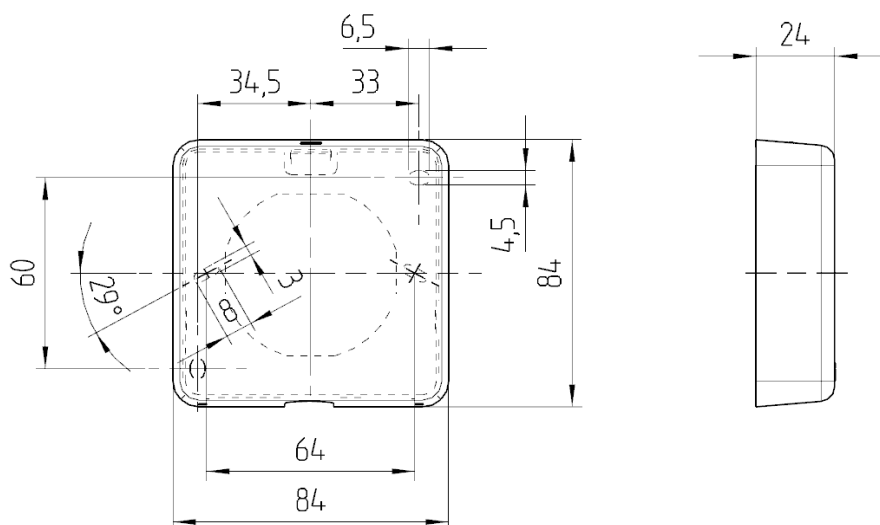
Connection screws

| | |
|--------------------------------------|-------------------|
| Max. torque for screws L-N/PE | 1,2 Nm |
| Screw drive L-N/PE | Combined slot/PZ2 |
| Max. torque for screws strain relief | 0,5 Nm |
| Screw drive strain relief | Combined slot/PZ1 |

Additional technical information

| | |
|------|---|
| Note | If conductor section is > 5x2,5mm ² use additional strain relief |
|------|---|

Subject to modifications



If the application requires extended specifications, we recommend to test the application under real or simulated conditions. Parameters like duration, quantity and temperature will effect the result significantly