

Cover

1632ESM



General information

Item number	1632ESM
Model	Cover
Colour	stainless steel, matt

Standards/Directives

Certification marks	EMC
---------------------	-----

Operating conditions

Storage temperature	-25°C to +70°C
Operating temperature	-25°C to +40°C
Relative humidity	5 to 95%, no condensation
Degree of protection	IP 41

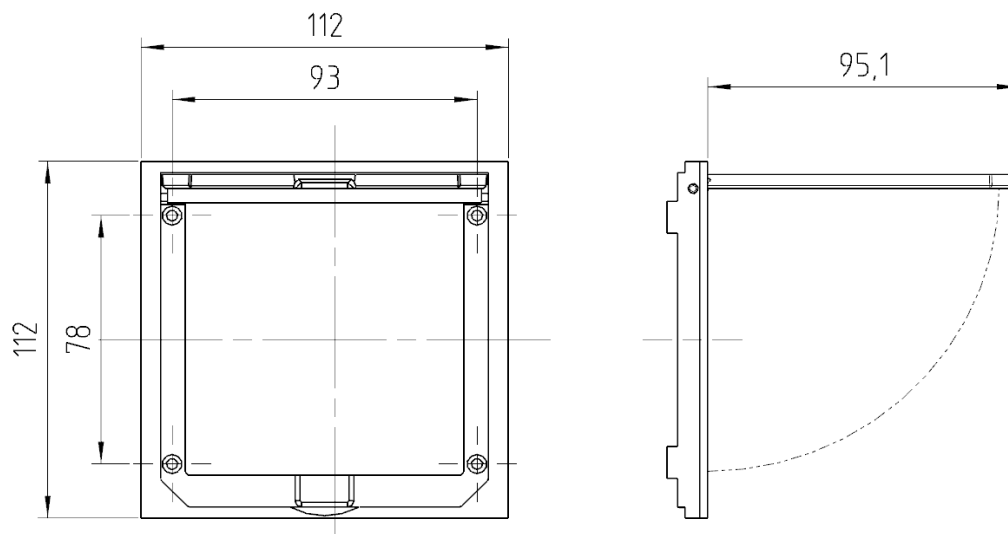
Connection screws

Max. torque for screws housing	0,5 Nm
Screw drive housing	Combined slot/PZ1

Additional technical information

Note	for item No. 1632 602, 1632 500
------	---------------------------------

Subject to modifications



If the application requires extended specifications, we recommend to test the application under real or simulated conditions. Parameters like duration, quantity and temperature will effect the result significantly